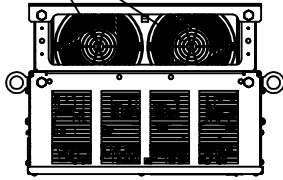
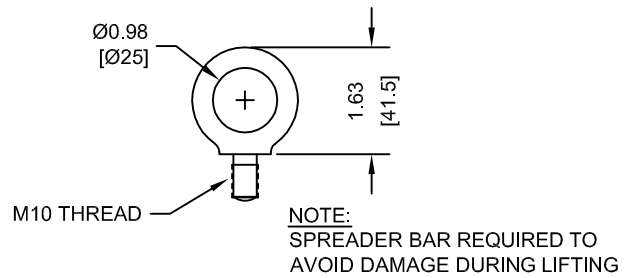


A
B
C
D
E
F
G
H
I
J

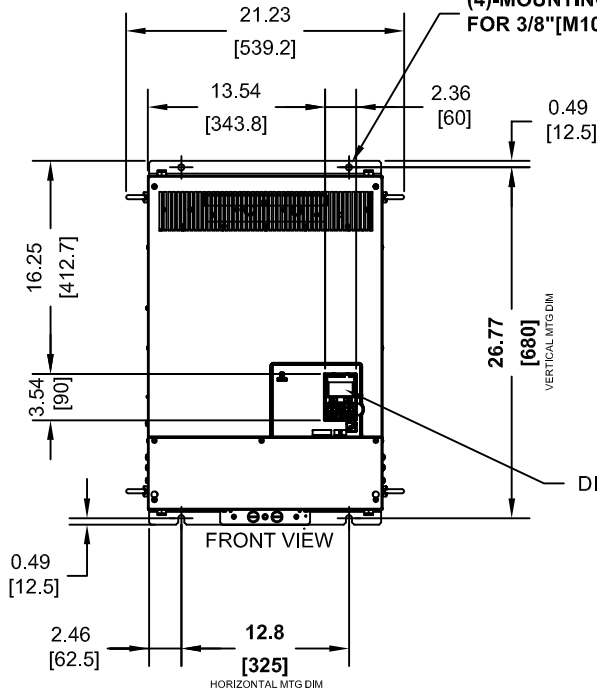
(2) EXTERNAL COOLING FANS



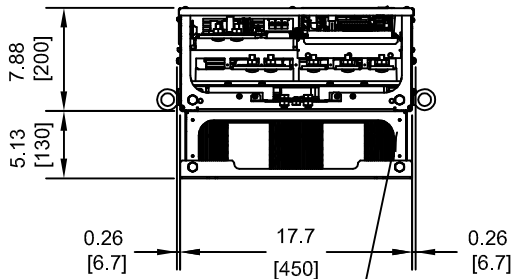
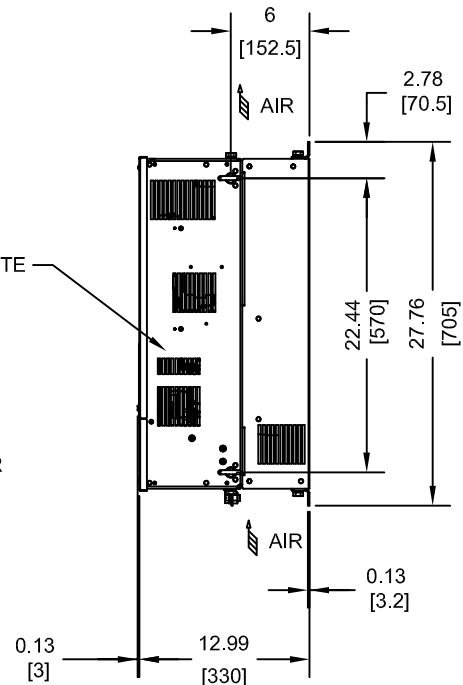
LIFTING AND EYEBOLT DETAILS



(4)-MOUNTING HOLES FOR 3/8" [M10] SCREWS



NAMEPLATE
DIGITAL OPERATOR



OPTIONAL CAPACITOR COVER
WHEN USING AN EXTERNAL MOUNT HEATSINK, UL COMPLIANCE REQUIRES COVERING EXPOSED CAPACITORS IN THE MAIN CIRCUIT TO PREVENT INJURY. CONSULT MANUAL FOR DETAILS.

MODEL # CIMR-RU	VOLTAGE THREE-PHASE (VAC)	OUTPUT CAPACITY (kW)	WEIGHT LBS (Kg)	HEAT LOSS (W)		
				INT	EXT	TOT
2A0073AXX	200/240	73	136 (62)	236	609	845
4A0105AXX	380/480	105	136 (62)	255	572	827
4A0150AXX		150	136 (62)	336	869	1205

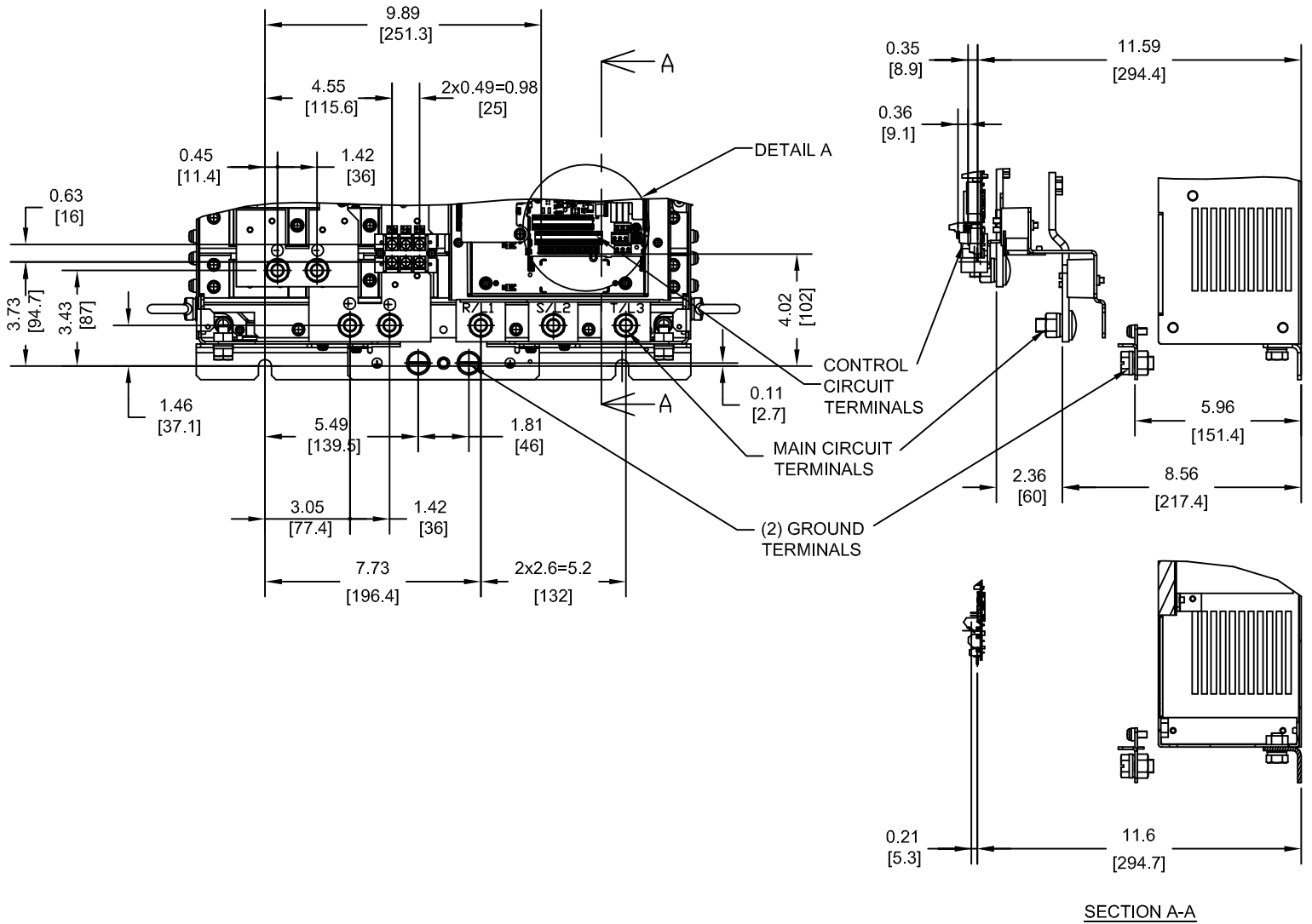
NOTES:
XX DENOTES AA-ZZ

INT=INTERNAL COMPONENTS
EXT=EXTERNAL HEATSINK
TOT=TOTAL

FOR ADDITIONAL DETAILS AND SPECIFICATIONS, CONSULT MANUAL

TOLERANCES / REFERENCES:			DRAWN: J. MATTAS DATE: 9-3-14	TITLE: R1000 DIMENSION DRAWING FRAME SIZE 6 IP00 ENCLOSURE 2A0073A, 4A0105A & 4A0150A
UNITS: IN[mm]	SCALE: 1:15		CHECKED: J. PIOTROWSKI DATE: 10-7-14	TECH: J. BORJA DATE: 9-22-14
THIS DOCUMENT AND INFORMATION CONTAINED IN IT ARE CONFIDENTIAL, AND CANNOT BE COPIED OR DISCLOSED IN WHOLE OR IN PART WITHOUT THE EXPRESS WRITTEN CONSENT OF YASKAWA AMERICA, INC.		APPROVED: J. CAIRO DATE: 11-18-14	ORIGINAL DESIGN: - DATE: -	SIZE: A REVISION: R00 PAGE: 1 of 3
			DRAWING #:	DD.R1K.FR6.IP00

TERMINAL AND WIRING DETAILS (SCALE 1:6)



TERMINAL AND WIRE SPECIFICATIONS FOR MAIN CIRCUIT AND GROUND

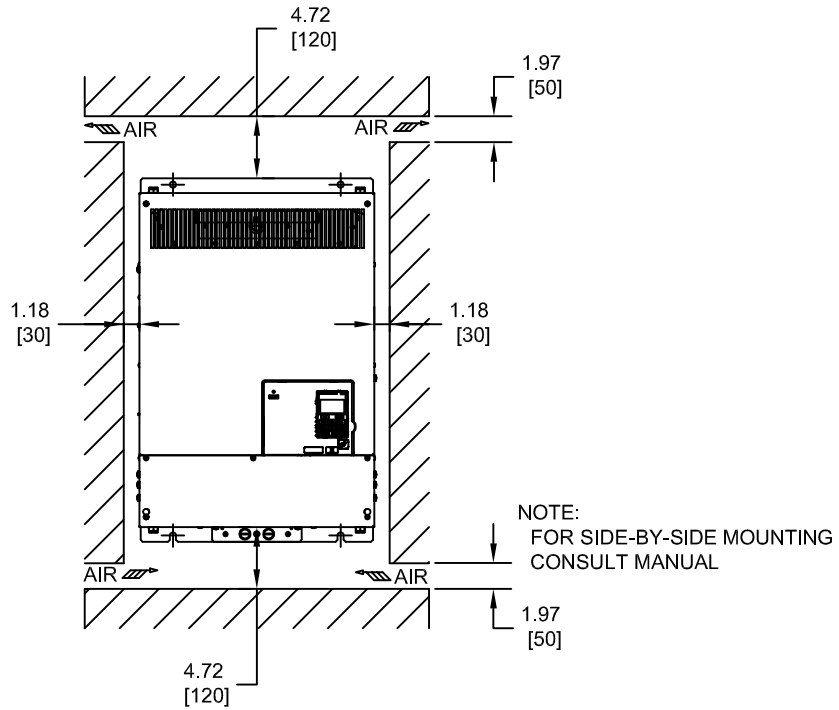
MODEL # CIMR-RU	TERMINAL SYMBOL	TERMINAL SCREW	CLAMPING TORQUE lb.in.(N.m.)
2A0073A 4A0150A	R/L1, S/L2, T/L3, ⊖, ⊕	M12	283 TO 354 (32 TO 40)
	r1/11, s1/21, t1/31	M4	9.7 TO 10.6 (1.1 TO 1.2)
	⊕	M12	283 TO 354 (32 TO 40)
4A0105A	R/L1, S/L2, T/L3, ⊖, ⊕	M10	159 TO 204 (18 TO 23)
	r1/11, s1/21, t1/31	M4	9.7 TO 10.6 (1.1 TO 1.2)
	⊕	M10	159 TO 204 (18 TO 23)

NOTE: REFER TO APPLICABLE CODES FOR PROPER WIRE TYPE AND SIZE

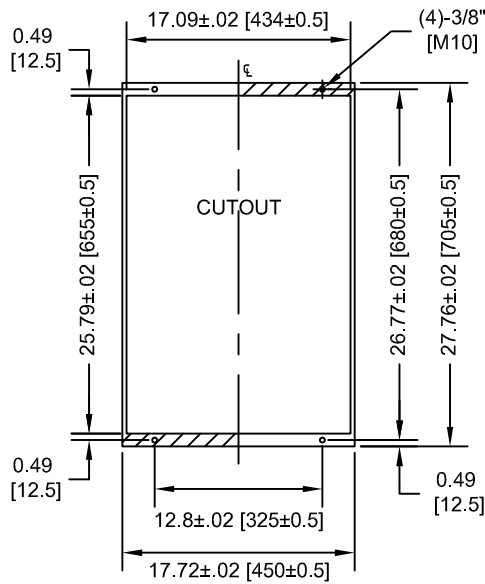
FOR ADDITIONAL DETAILS AND SPECIFICATIONS, CONSULT MANUAL

TOLERANCES / REFERENCES:		<p>THIS DOCUMENT AND INFORMATION CONTAINED IN IT ARE CONFIDENTIAL, AND CANNOT BE COPIED OR DISCLOSED IN WHOLE OR IN PART WITHOUT THE EXPRESS WRITTEN CONSENT OF YASKAWA AMERICA, INC.</p>	DRAWN: J. MATTAS DATE: 9-3-14	TITLE: R1000 DIMENSION DRAWING FRAME SIZE 6 IP00 ENCLOSURE 2A0073A, 4A0105A & 4A0150A			
			CHECKED: J. PIOTROWSKI DATE: 10-7-14	DATE: 10-7-14	SIZE: A	REVISION: R00	PAGE: 2 of 3
			TECH: J. BORJA DATE: 9-22-14	DATE: 9-22-14			
			APPROVED: J. CAIRO DATE: 11-18-14	DATE: 11-18-14			
UNITS: IN[mm]	SCALE: BY VIEW	ORIGINAL DESIGN: -	DATE: -	DRAWING #: DD.R1K.FR6.IP00			

MINIMUM INSTALLATION CLEARANCES (SCALE 1:15)



PANEL CUTOUT FOR EXTERNAL HEATSINK MOUNTING CONFIGURATION (SCALE 1:15)



NOTE:
EXPOSED HEATSINK DEPTH
D=5.12" MINUS PANEL THICKNESS

FOR ADDITIONAL DETAILS AND SPECIFICATIONS, CONSULT MANUAL

TOLERANCES / REFERENCES:			DRAWN: J. MATTAS CHECKED: J. PIOTROWSKI TECH: J. BORJA APPROVED: J. CAIRO ORIGINAL DESIGN: -	DATE 9-3-14 DATE 10-7-14 DATE 9-22-14 DATE 11-18-14 DATE -	TITLE: R1000 DIMENSION DRAWING FRAME SIZE 6 IP00 ENCLOSURE 2A0073A, 4A0105A & 4A0150A
UNITS: IN[mm]	SCALE: BY VIEW		THIS DOCUMENT AND INFORMATION CONTAINED IN IT ARE CONFIDENTIAL, AND CANNOT BE COPIED OR DISCLOSED IN WHOLE OR IN PART WITHOUT THE EXPRESS WRITTEN CONSENT OF YASKAWA AMERICA, INC.	SIZE A REVISION R00 PAGE 3 of 3	DRAWING #: DD.R1K.FR6.IP00